

Dingli JCPT 1612DC

Electric Scissor Lift



STANDARD FEATURES

- Proportional controls
- Self-locking gate on platform
- Automatic pothole protection
- Drivable at full height
- Onboard diagnostic system
- Non marking tyres
- Automatic braking system
- Emergency stop button
- Cylinder holding valve
- Horn
- Forklift pockets
- Charger protection
- All motion alarm
- 2WD
- Safety brackets
- Hour meter
- Flashing beacon
- Tilt sensor with alarm
- Folding guardrails

IPAF Category 3a

Do you hold a valid operator's licence?

The PAL Card (Powered Access Licence) is recognised worldwide as proof of platform operator training to the highest standard.

It is issued by the International Powered Access Federation (IPAF) to platform operators who successfully complete a training course at an IPAF approved training centre.

Quick checklist for employers and operators using powered access machines:

- ✓ I have an IPAF PAL card.
- ✓ Date is still valid (Licence expires after 5 years).
- ✓ All categories for the machine's being used are listed on the PAL card (e.g. 3a, 3b, PAV).

If you can answer yes to all three, you're good to go!

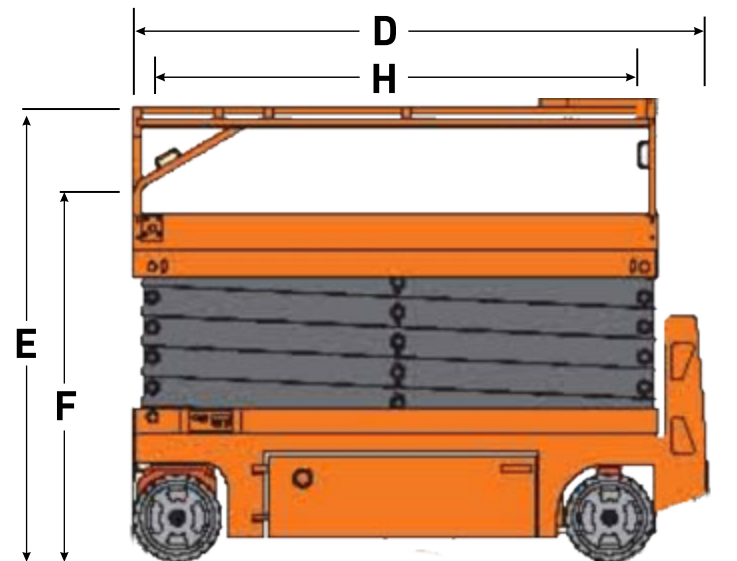
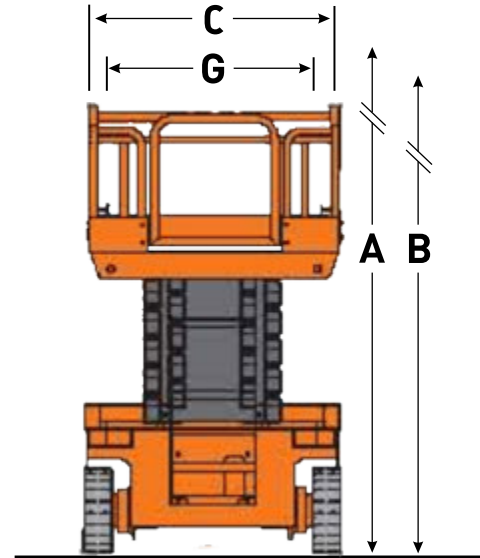
If not, please call us to discuss your requirements and arrange a training course.



JCPT 1612DC Electric Scissor Lift

Dimensions	JCPT 1612DC
A Work Height	15.70 m
B Raised Platform Height	13.70 m
C Overall Width	1.25 m
D Overall Length	2.84 m
E Stowed Height (Rails Up)	2.59 m
F Stowed Height (Rails Down)	2.05 m
G Platform Width (Inside Railing)	1.12 m
H Platform Inside Length	2.64 m

Specifications	JCPT 1612DC
Ground Clearance (Pothole Raised)	100 mm
Ground Clearance (Pothole Deployed)	19 mm
Wheelbase	2.22 m
Weight	3180 kg
Gradeability	25%
Turning Radius (Inside)	0 m
Turning Radius (Outside)	2.65 m
Lift Time	88 sec
Lowered Time	60 sec
Drive Speed (Stowed)	4.0 km/h
Drive Speed (Raised)	0.8 km/h
Maximum Drive Height	Full Height
Capacity (Overall)	250 kg
Maximum # of Persons	2
Tire Type	Solid, N/M
Tire Size	381 x 127 mm



Hire • Sales • Training

0844 682 0000

www.starplatforms.co.uk

info@starplatforms.co.uk

UK Coverage

We offer a true UK wide hire service via a network of strong, regional access companies who share Star Platforms' values, offering high service levels and quality equipment.

ACCESS ALLIANCE

